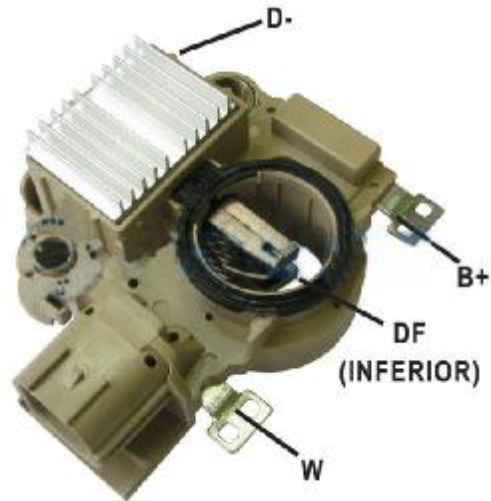


Multifunkční regulátor E16M-14V – nahradí Mitsubishi

Přehled vlastností:

- Plně jednolitý desing
- Teplotní ochrana
- Ochrana před zkratem



E16M-14V Replaces Mitsubishi

Original code number:

A866X48782

Application:

Honda Civic 1.7 2001-2004

Alternator:

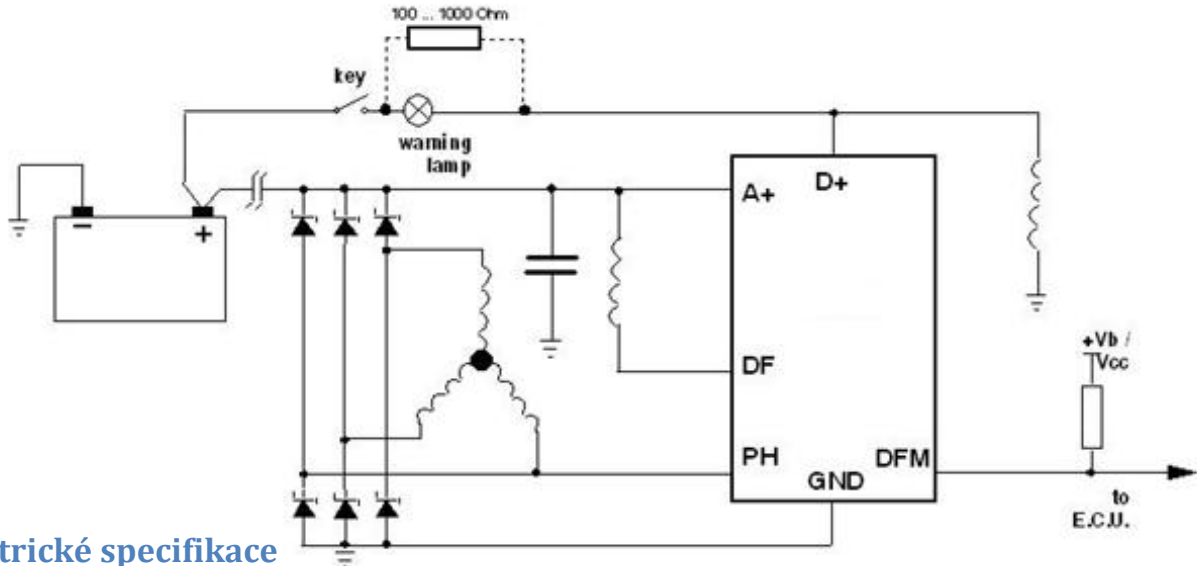
MITSUBISHI: A5TA7091, HONDA:
31100PLMA01

Popis:

Jedná se o multifunkční autooscilační regulátory pro alternátory v automobilech. Obsahují kontrolní sekci, budící sekci a diagnostický okruh, který ovládá varovnou kontrolku.

Multifunkční regulátor E16M-14V – nahradí Mitsubishi

Aplikační schéma:



Elektrické specifikace

Maximální hodnoty

Symbol	Parametr	Hodnota	Jednotka
VS	DC Supply Voltage (2 min. @ 25°)	24	V
	Transient Supply Voltage (load dump); $t < 0.5s$ @ 25°C	40	V
	Transient Supply Voltage (low energy spikes pulse ISO7637/1)	60	V
IO	Output Current Capability	internally limited	A
Ptot	Power Dissipation(@ Tcase = 150°C, I _{field} = 5A)	Tbd	
	Reverse Voltage all pins @ 25°C, T = 15s	-2.5	V
	DC Pin Current (bonding limitation) on DF, A+, GND pins	11	A
	EDS Voltage (Human body model)	±4	KV

Teplotní údaje

Symbol	Parametr	Hodnota	Jednotka
T _{case}	Case temperature	-40 to 160	°C
T _{stg}	Storage temperature	-40 to 170	°C
T _{sh}	Thermal shutdown	185 ± 15	°C
R _{th j-case}	Thermal Resistance Junction-case Max.	1.5	°C/W

Elektrické specifikace

(-40 °C ≤ T_J ≤ 125 °C, pokud není uvedeno jinak)

Multifunkční regulátor E16M-14V – nahradí Mitsubishi

Symbol	Parameter	Test Condition	Min.	Typ.	Max.	Unit
V_{bat}	Operating Supply Voltage		8.5		18	V
I_{bsink}	Supply Battery Current				50	mA
I_{bstby}	Stand-by Current	$V_{bat} = 12V, T = 25^{\circ}C$			300	μA
		$V_{bat} = 12V, T = 40^{\circ}C$			500	
V_{reg}	Regulated Voltage & Therm. Drift (standard version)	$I_{alt} = 0.5 \cdot I_{nom};$ $rpm = 0.5 \cdot RPM_{MAX}; T = 20^{\circ}C$	14.3 -4	14.45 -3	14.6 -2	V mV/ $^{\circ}C$
$V_{reg}^{(1)}$	Regulated Voltage & Therm. Drift (optional version)	$I_{alt} = 0.2 \cdot I_{nom};$ $rpm = 0.5 \cdot RPM_{MAX}; T = 20^{\circ}C$	14.1 -11.5	14.5 -10	14.9 -8.5	V mV/ $^{\circ}C$
f_{sw}	Switching Frequency	in FSDF	30		400	Hz
V_{rpm}	Delta V_{rpm}	$1800 < rpm < 12000;$ $I_{alt} = 0.3 \cdot I_{nom}$			200	mV
V_{load}	Delta V_{load}	$0.1 \cdot I_{nom} < I_{alt} < 0.9 \cdot I_{nom};$ $rpm = 0.5 \cdot rpm_{max}$			200	mV
V_{reg}	Reg. Voltage without Battery	$I_{alt} = 3A$ resistive			16	V
V_{OV}	D+ Drivers Disable Thershold	Voltage on pin A+ to have D+ = OFF	18		22	V
T_{j-sd}	Thermal Shut-down	DF = OFF STATE D+ = OFF STATE	170		200	$^{\circ}C$
$T_{j-sd-hys}$	Thermal Shut-down Hysteresis	DF, D+ = from off state (due to thermal shutdown) to on	2		10	$^{\circ}C$
R_{on}	Low Side Driver R_{dson}	$T = 150^{\circ}C; I = 5A$			230	$m\Omega$
R_{on}	Low Side Driver R_{dson}	$T = 25^{\circ}C; I = 5A$			130	$m\Omega$
V_F	Freewheeling Diode DF	$I_F = 5A$			2	V
I_{fSC}	Short Circuit Threshold DF	DF = 12V; $T = -40$ to $25^{\circ}C$	8.5		18	A
I_{fSC}	Short Circuit Threshold DF	DF = 12V; $T = 25$ to $125^{\circ}C$	7		18	A
V_{s1}	Output Short to GROUND Threshold DF		2.1		3.9	V
FS_{DF}	Pre-excitation F.S.D.F	$f = 348Hz \pm 15\%$	10.62	12.5	14.38	%

Multifunkční regulátor E16M-14V – nahradí Mitsubishi

Symbol	Parameter	Test Condition	Min.	Typ.	Max.	Unit
t_{ST}	Soft Start Delay Time	activated at first running-on only		0		s
t_{SL}	Soft Attack Time	from 0 to 100% field duty cycle	2.5	2.88	3.39	s
BI	Soft Attack Blind Zone	% of maximum D.C. immediate variation of soft attack	0		10	%
t_{rise}	Output Voltage Rise Time	$I_{field} = 3A$ resistive	5		50	μs
t_{fall}	Output Voltage Fall Time		5		50	μs
I_{fjk}	Output Field Driver Leakage Current	DF = 24V			1	mA
V_{HS}	High Side Driver Saturation Voltage	$I_{source} = 1A$			1.2	V
V_{LS}	Low Side Driver Saturation Voltage	$I_{sink} = 0.25A$			1.5	V
VLSB	Selfbias without supply lamp driver voltage				4	V
IHSC	High Side Current Limitation	A+ = 17.5V; D+ = GND	1.2		3	A
ILSC	Low Side Current Limitation	A+ = D+ = 17.5V	0.45		1.5	A
V_{thD+}	Enable Regulator Voltage D+		0.8	1	1.15	V
I_{thD+}	Enable Regulator Pull-down Current		0.4		3.5	mA
DISAB	Soft Attack Inhibition Frequency		265	313	360	Hz
EN ₁	Soft start delay time enable frequency		88	104	120	Hz
EN _{1_hy}	Soft start delay time enable frequency hysteresis		EN ₁ -8	EN ₁ -10	EN ₁ -12	Hz
VPHL1	Enable Control Voltage PH high threshold	Square wave 1KHz	0.67	0.795	0.92	V
VPHL2	Enable Control Voltage PH low threshold		VPHL1 -0.48	VPHL1 -0.57	VPHL1 -0.66	V
t_{PH}	PH Filtering Time		15		120	μs
VPHH1	Diag. Phase Loss High Voltage		9	10.25	11.5	V
VPHH2	Diag. Phase Loss Low Voltage		4	5	6	V
t_{PHD}	Diagnostic PH Filtering Time		50		200	μs
I_{PH}	Phase Pull-down Current		1		8	mA
t_D	Diagnostic Alarm Delay		0.48	0.575	0.65	s
f_{DFM}	DFM Open Drain Switching Frequency	in FSDF	30		400	Hz
V_{ol}	Output Low Voltage DFM	$I_{sink} = 25mA$			1.5	V

Multifunkční regulátor E16M-14V – nahradí Mitsubishi

Symbol	Parameter	Test Condition	Min.	Typ.	Max.	Unit
I_{dfmt}	Short Circuit Protection DFM	VDF_MON = 12V	25		200	mA
I_{lk}	Output Leakage Current DFM	VDF_MON = 24V			0.1	mA
t_{TM}	DFM Output Voltage rise time	R = 2.7k Ω ; C = 1nF; V _{alim} = 13.5V	0.05		50	μ s
T_TD	DFM Output Voltage fall time	R = 2.7k Ω ; C = 1nF; V _{alim} = 13.5V	0.05		50	μ s

(1) Available through a metal option of the actual device.

Teplotní kompenzace

Teplota (°C)	V _{reg} (V)		
	Min.	Typ.	Max.
-40	14.43	14.645	14.86
25	14.30	14.45	14.60
125	13.90	14.15	14.40

